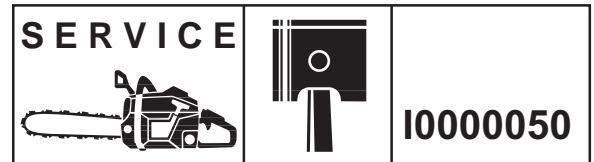


Jonsered



IPL,2141, 2145, 2150, 2000-08, 106 26 37-61

2141, 2145, 2150

Spare parts

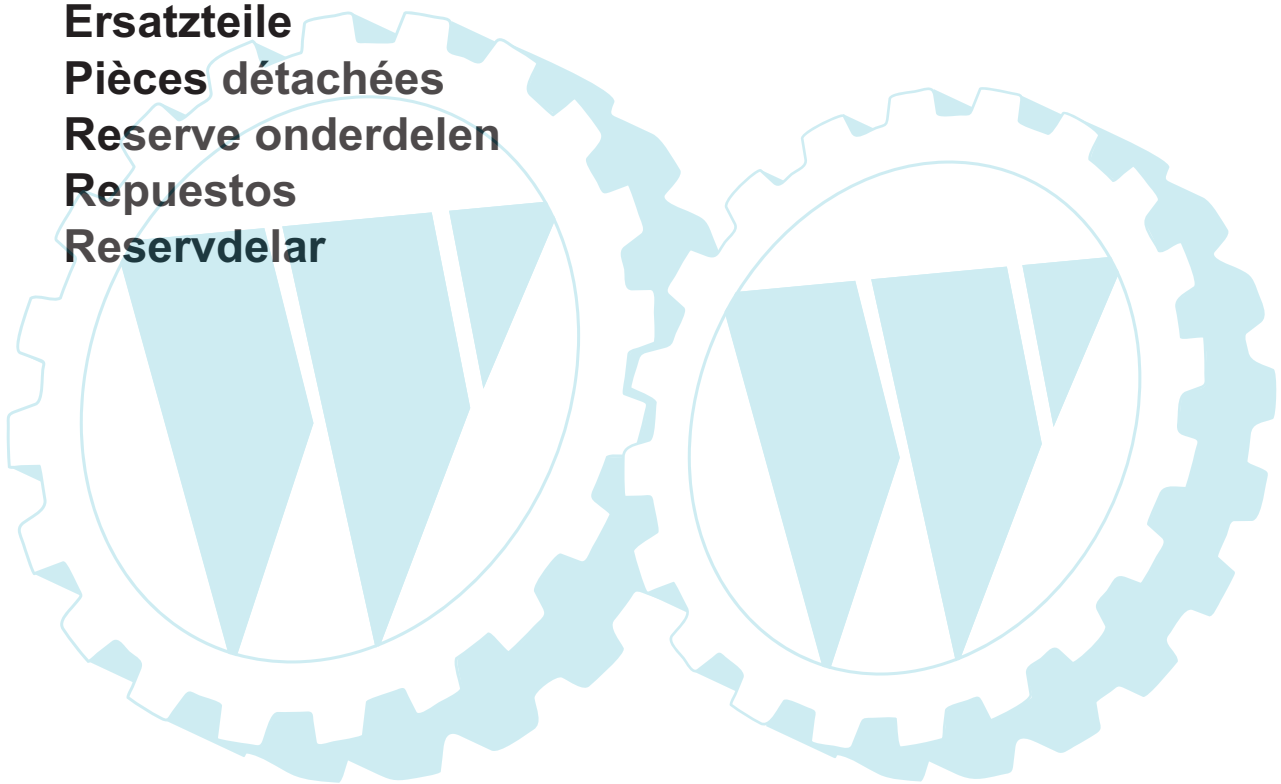
Ersatzteile

Pièces détachées

Reserve onderdelen

Repuestos

Reservdelar

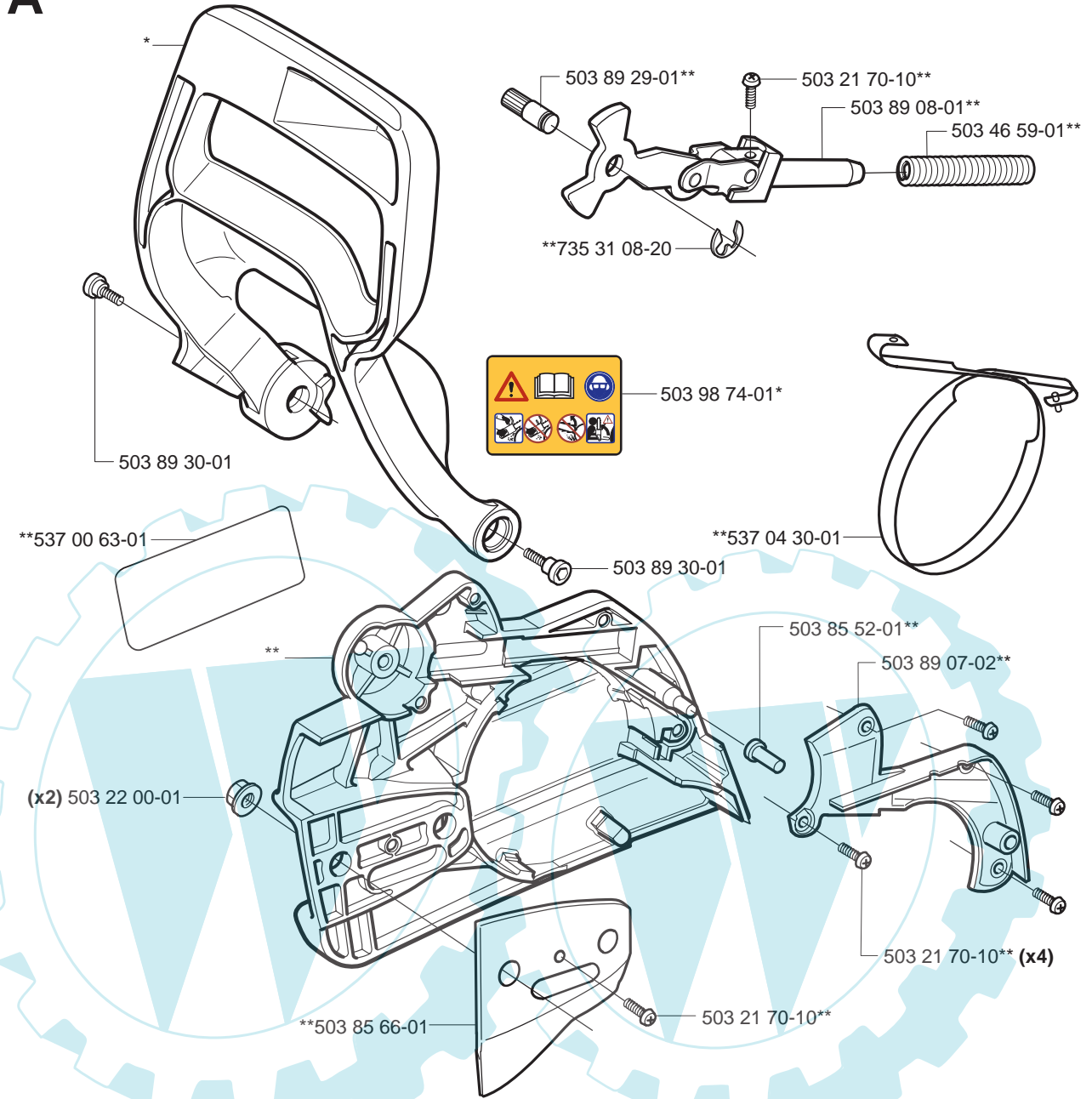


106 26 37-61

A

*compl 537 01 21-02

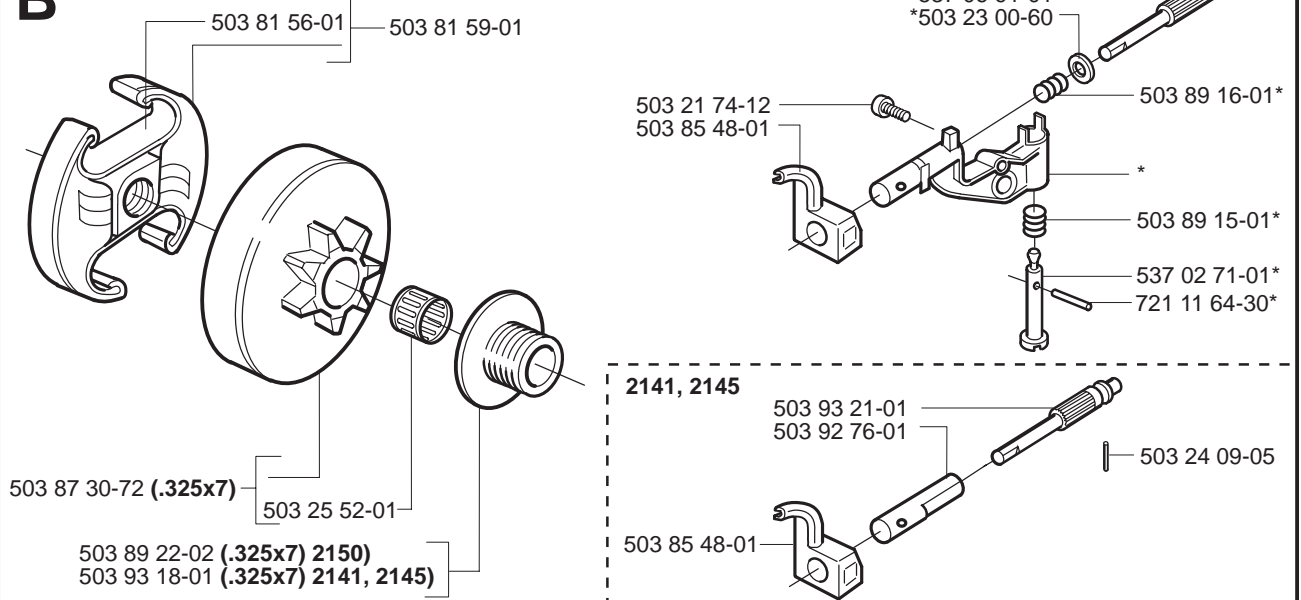
**compl 503 99 70-01



B

*compl 537 10 55-01 (2150)

*537 06 91-01
*503 23 00-60



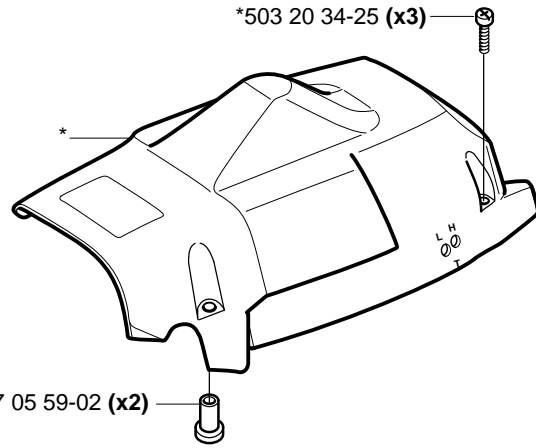
C

*compl 537 01 14-01

*501 63 97-01



*503 20 34-25 (x3)

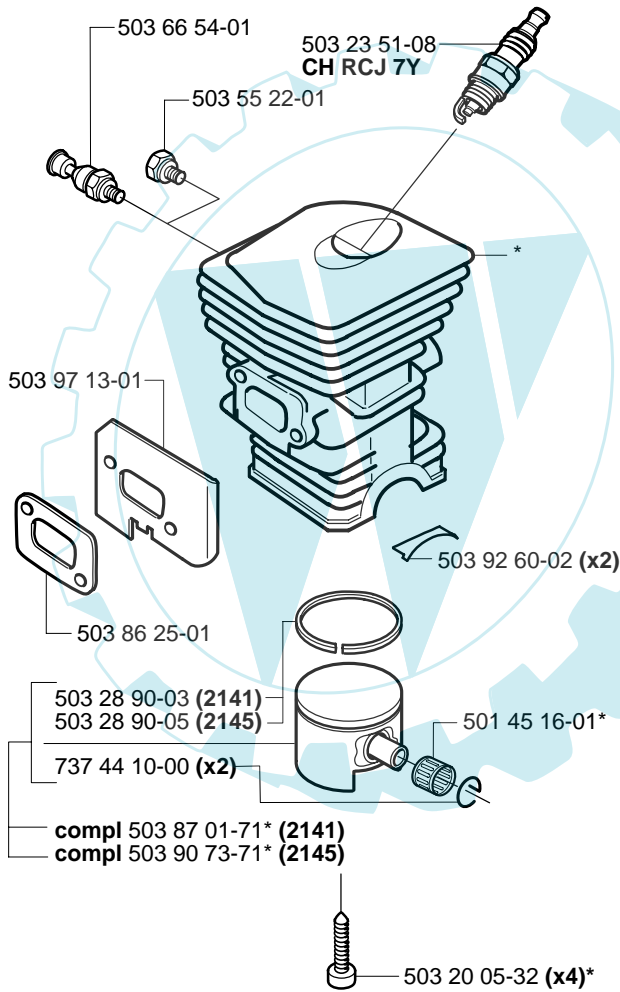


*537 05 59-02 (x2)

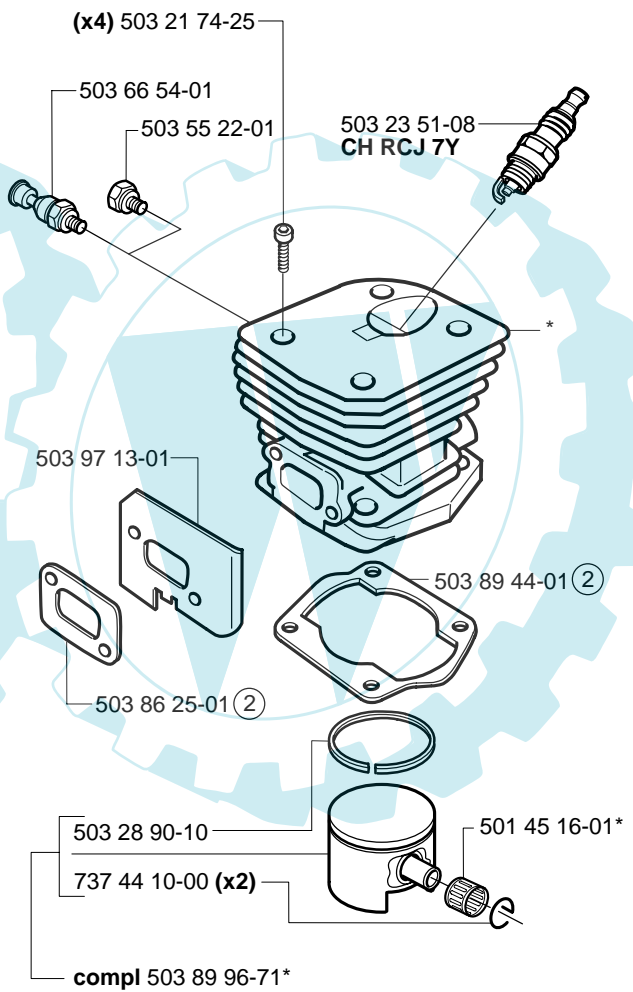
D

*compl 503 87 00-73 (2141)

*compl 503 87 02-74 (2145)

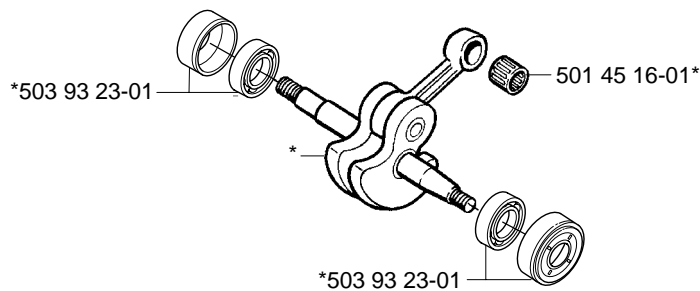


*compl 503 86 99-71 (2150)



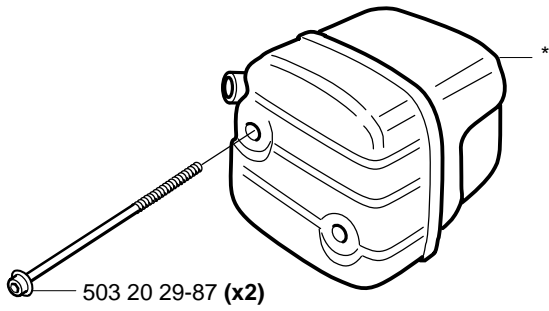
E

*compl 503 85 80-71

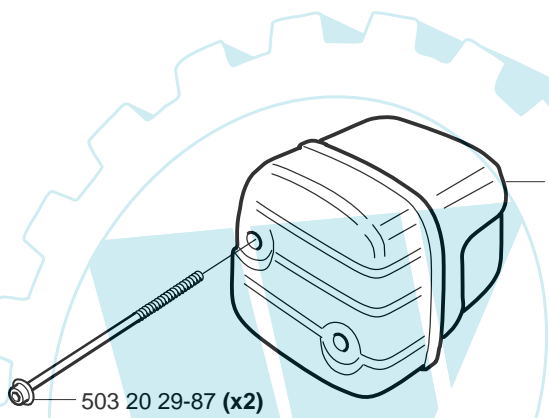


F

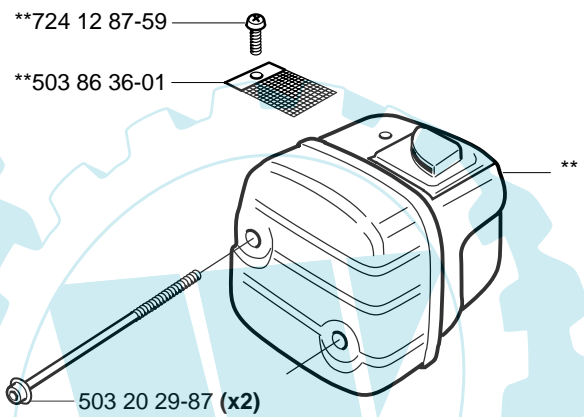
*compl 503 86 27-02 (EU)



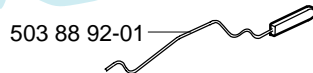
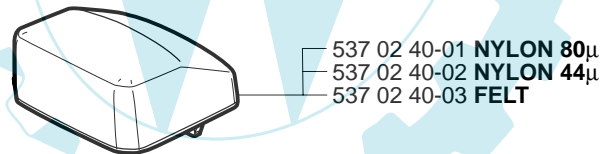
*compl 503 87 96-01 (FG)



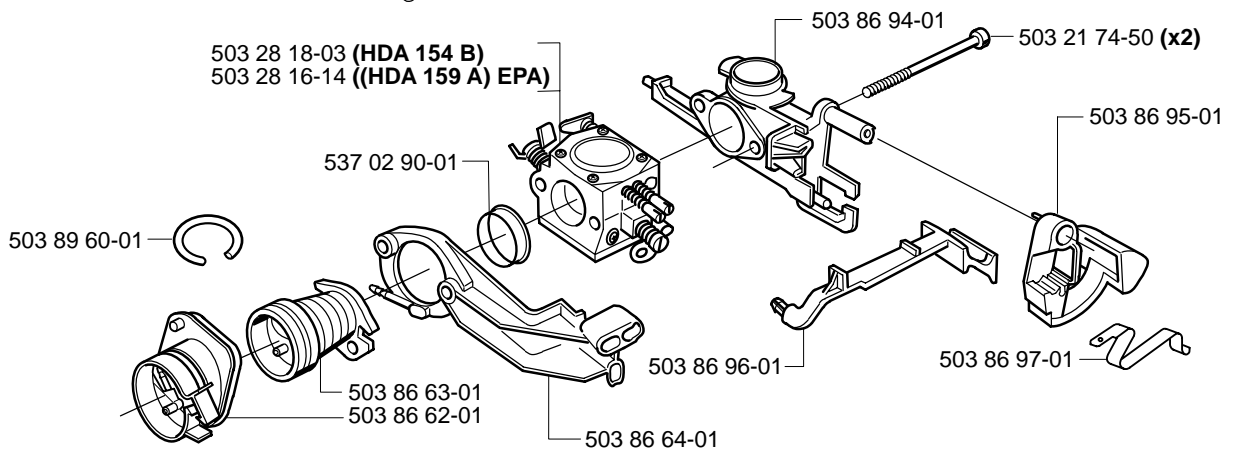
**compl 503 86 28-02 (DF)



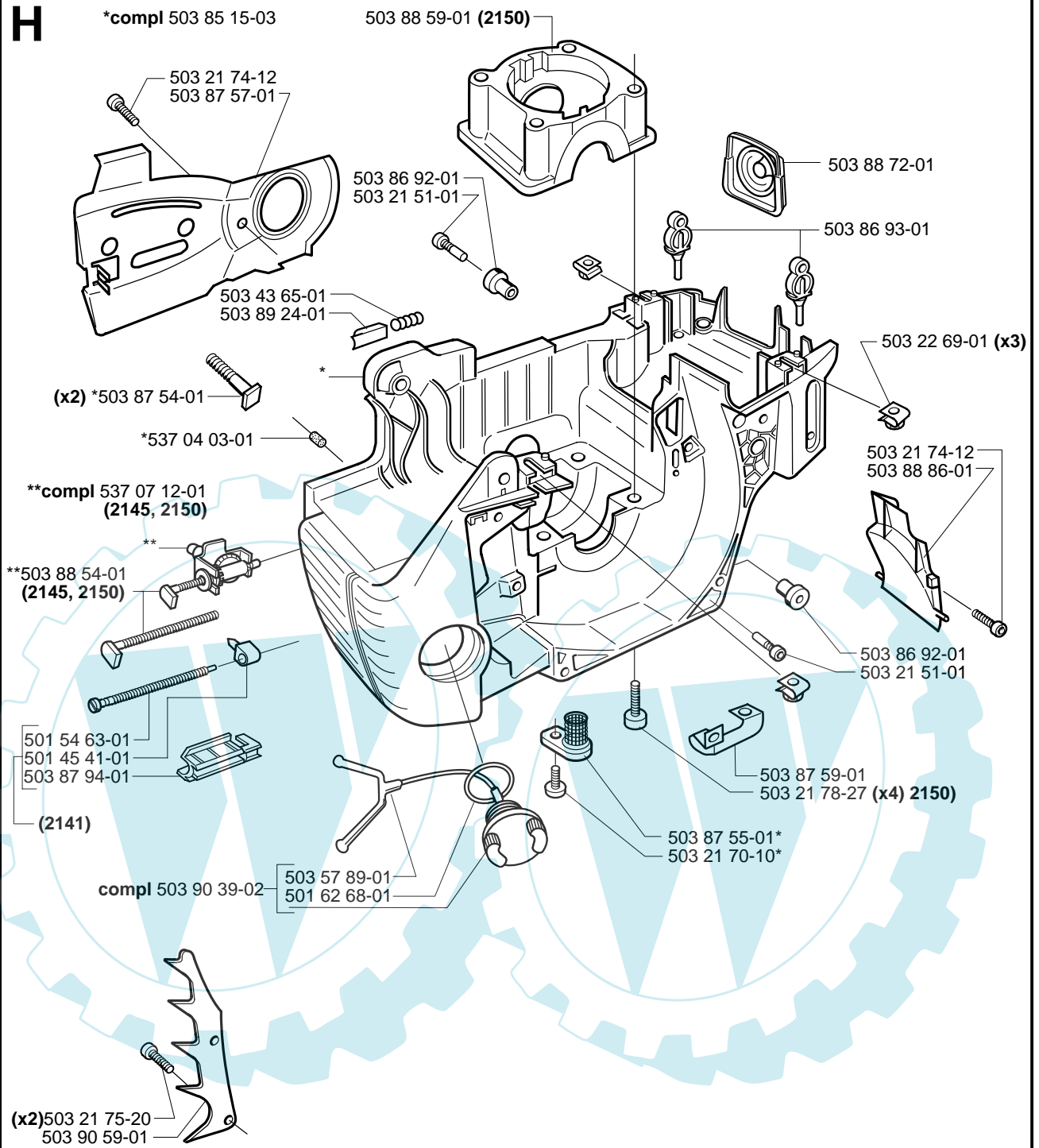
G



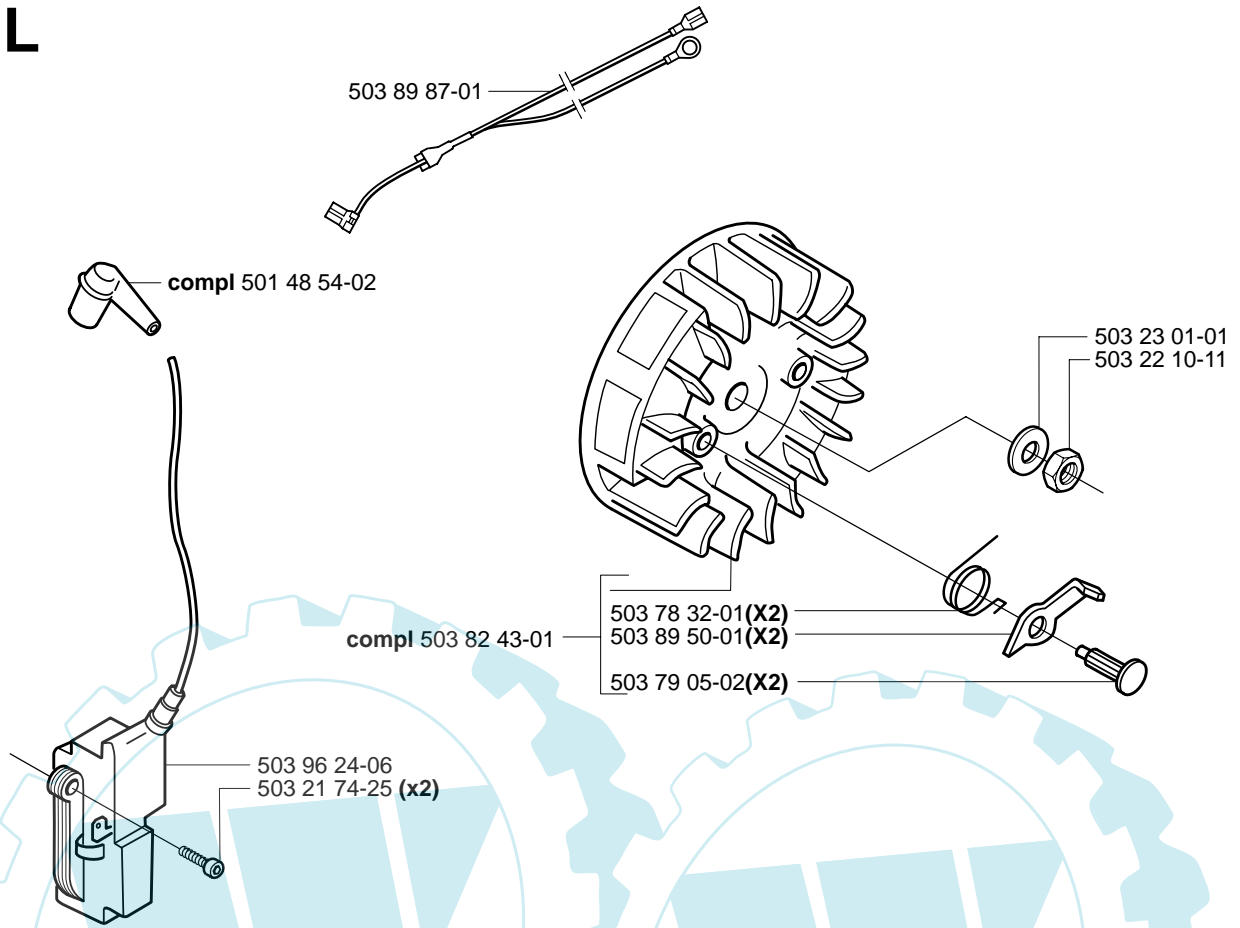
503 28 18-03 (HDA 154 B)
503 28 16-14 ((HDA 159 A) EPA)



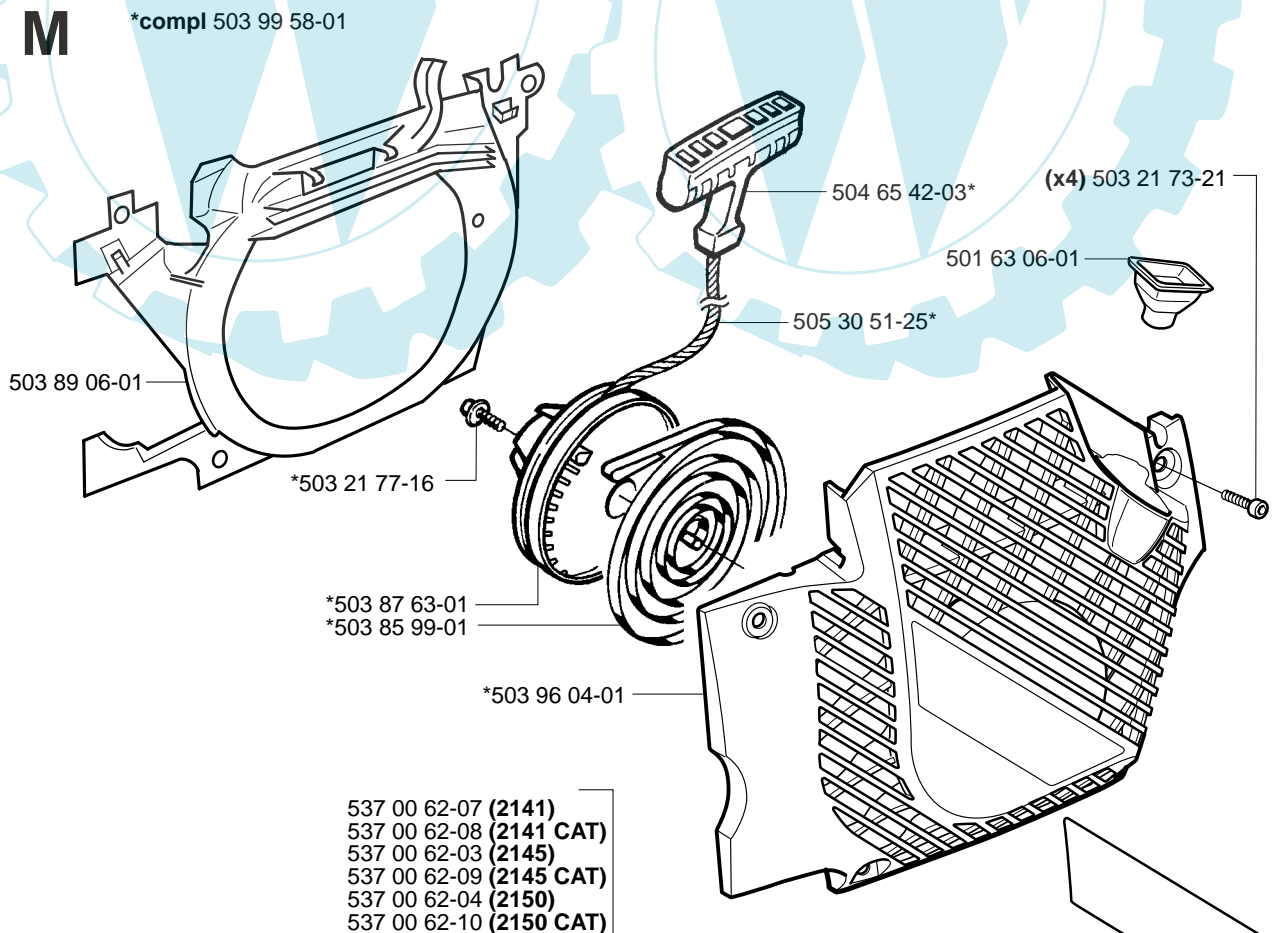
H



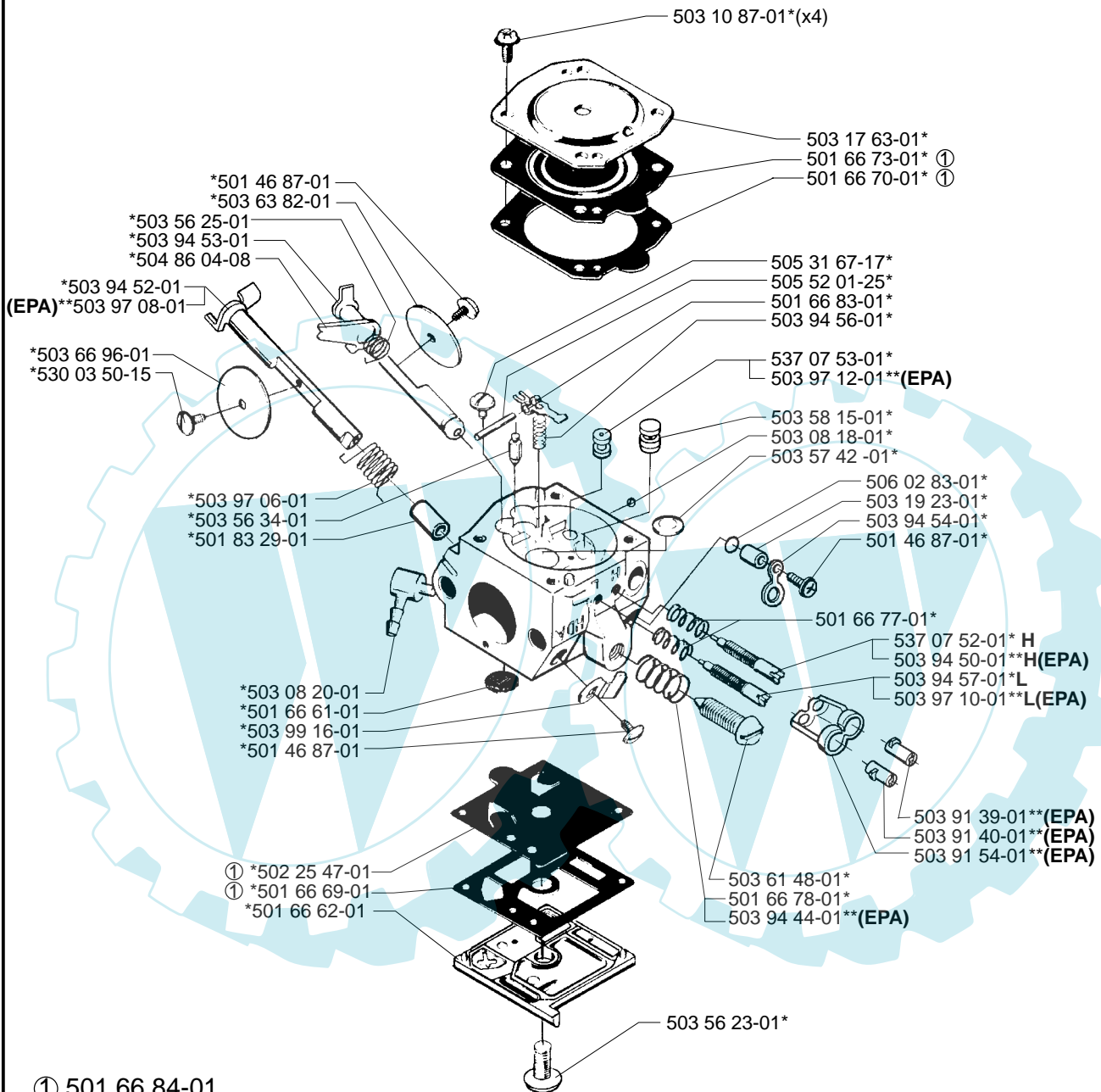
L



M

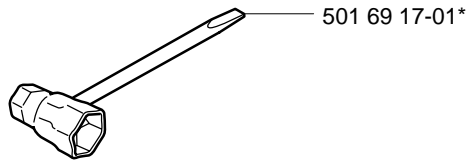


N *compl 503 28 18-03 Walbro HDA 154 B
 **compl 503 28 16-14 Walbro HDA 159 A (EPA)



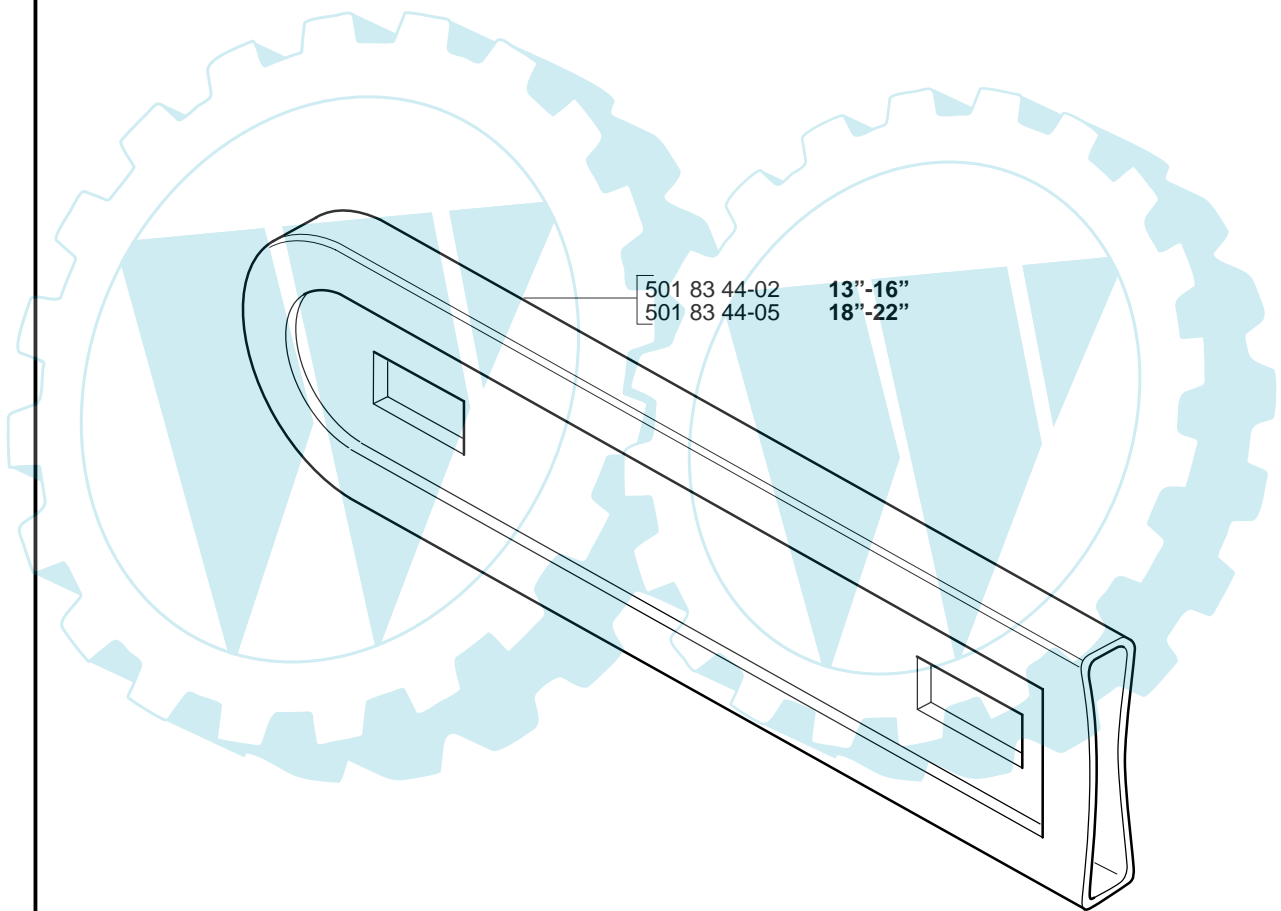
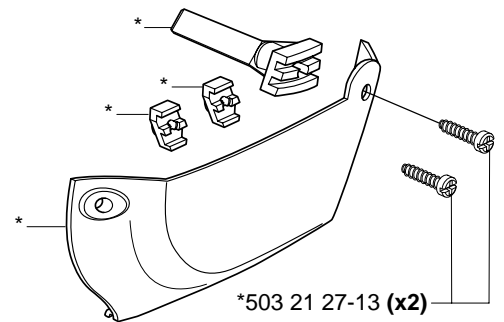
① 501 66 84-01
Set of gaskets
Dichtungssatz
Jeu de joints
Juego de juntas
Packningssatz

P Accessories
Zubehöre
Accessories
Accesorios
Tillbehör



WINTER KIT

*compl 537 02 83-71



| PART NUMBER | SQUARE | NOTE | PART NUMBER | SQUARE | NOTE | PART NUMBER | SQUARE | NOTE | PART NUMBER | SQUARE | NOTE |
|--------------|--------|----------|--------------|--------|------|--------------|--------|------|-------------|--------|------|
| 501 45 16-01 | DE | | 503 60 04-01 | J | | 503 91 54-01 | N | EPA | | | |
| 501 45 41-01 | H | | 503 61 48-01 | N | | 503 92 24-01 | K | | | | |
| 501 46 87-01 | N | | 503 63 82-01 | N | | 503 92 60-02 | D | | | | |
| 501 48 54-02 | L | | 503 66 54-01 | D | | 503 92 76-01 | B | | | | |
| 501 54 63-01 | H | | 503 66 96-01 | N | | 503 93 18-01 | B | | | | |
| 501 62 68-01 | H | | 503 78 32-01 | L | | 503 93 21-01 | B | | | | |
| 501 62 98-01 | J | | 503 79 05-02 | L | | 503 93 23-01 | E | | | | |
| 501 63 06-01 | M | | 503 81 56-01 | B | | 503 94 44-01 | N | EPA | | | |
| 501 63 97-01 | C | | 503 81 59-01 | B | | 503 94 50-01 | N | EPA | | | |
| 501 66 61-01 | N | | 503 82 43-01 | L | | 503 94 52-01 | N | | | | |
| 501 66 62-01 | N | | 503 85 15-03 | H | | 503 94 53-01 | N | | | | |
| 501 66 69-01 | N | 1 | 503 85 41-01 | J | | 503 94 54-01 | N | | | | |
| 501 66 70-01 | N | 1 | 503 85 44-02 | J | | 503 94 56-01 | N | | | | |
| 501 66 73-01 | N | 1 | 503 85 45-02 | J | | 503 94 57-01 | N | | | | |
| 501 66 77-01 | N | | 503 85 48-01 | B | | 503 96 04-01 | M | | | | |
| 501 66 78-01 | N | | 503 85 52-01 | A | | 503 96 06-01 | K | | | | |
| 501 66 83-01 | N | | 503 85 66-01 | A | | 503 96 24-06 | L | | | | |
| 501 66 84-01 | N | 1 compl. | 503 85 80-71 | E | | 503 97 06-01 | N | | | | |
| 501 69 17-01 | P | | 503 85 99-01 | M | | 503 97 08-01 | N | EPA | | | |
| 501 81 96-01 | J | | 503 86 25-01 | D | | 503 97 10-01 | N | EPA | | | |
| 501 81 96-03 | J | | 503 86 27-02 | F | | 503 97 12-01 | N | EPA | | | |
| 501 83 29-01 | N | | 503 86 28-02 | F | | 503 97 13-01 | D | | | | |
| 501 83 44-02 | P | | 503 86 36-01 | F | | 503 98 74-01 | A | | | | |
| 501 83 44-05 | P | | 503 86 37-72 | J | | 503 98 98-01 | K | | | | |
| 502 25 47-01 | N | 1 | 503 86 62-01 | G | | 503 99 16-01 | N | | | | |
| 503 08 18-01 | N | | 503 86 63-01 | G | | 503 99 58-01 | M | | | | |
| 503 08 20-01 | N | | 503 86 64-01 | G | | 503 99 70-01 | A | | | | |
| 503 10 87-01 | N | | 503 86 92-01 | H | | 503 99 86-01 | J | | | | |
| 503 17 63-01 | N | | 503 86 93-01 | H | | 504 65 42-03 | M | | | | |
| 503 19 23-01 | N | | 503 86 94-01 | G | | 504 86 04-08 | N | | | | |
| 503 20 05-32 | D | | 503 86 95-01 | G | | 505 30 51-25 | M | | | | |
| 503 20 29-87 | F | | 503 86 96-01 | G | | 505 31 67-17 | N | | | | |
| 503 20 34-25 | C | | 503 86 97-01 | G | | 505 52 01-25 | N | | | | |
| 503 21 27-13 | P | | 503 86 99-71 | D | | 506 02 83-01 | N | | | | |
| 503 21 51-01 | H | | 503 87 00-73 | D | | 530 03 50-15 | N | | | | |
| 503 21 70-10 | AH | | 503 87 01-71 | D | | 537 00 62-03 | M | | | | |
| 503 21 73-21 | M | | 503 87 02-74 | D | | 537 00 62-04 | M | | | | |
| 503 21 74-12 | BH | | 503 87 30-72 | B | | 537 00 62-07 | M | | | | |
| 503 21 74-25 | DL | | 503 87 54-01 | H | | 537 00 62-08 | M | | | | |
| 503 21 74-50 | G | | 503 87 55-01 | H | | 537 00 62-09 | M | | | | |
| 503 21 75-20 | H | | 503 87 57-01 | H | | 537 00 62-10 | M | | | | |
| 503 21 77-16 | M | | 503 87 59-01 | H | | 537 00 63-01 | A | | | | |
| 503 21 78-27 | H | | 503 87 63-01 | M | | 537 01 14-01 | C | | | | |
| 503 21 88-16 | K | | 503 87 94-01 | H | | 537 01 21-02 | A | | | | |
| 503 21 88-25 | JK | | 503 87 96-01 | F | | 537 02 40-01 | G | | | | |
| 503 22 00-01 | A | | 503 88 54-01 | H | | 537 02 40-02 | G | | | | |
| 503 22 10-11 | L | | 503 88 59-01 | H | | 537 02 40-03 | G | | | | |
| 503 22 69-01 | H | | 503 88 72-01 | H | | 537 02 71-01 | B | | | | |
| 503 23 00-60 | B | | 503 88 86-01 | H | | 537 02 83-71 | P | | | | |
| 503 23 01-01 | L | | 503 88 92-01 | G | | 537 02 90-01 | G | | | | |
| 503 23 51-08 | D | | 503 89 06-01 | M | | 537 04 03-01 | H | | | | |
| 503 24 09-05 | B | | 503 89 07-02 | A | | 537 04 30-01 | A | | | | |
| 503 25 52-01 | B | | 503 89 08-01 | A | | 537 05 59-02 | C | | | | |
| 503 26 30-17 | J | | 503 89 15-01 | B | | 537 06 91-01 | B | | | | |
| 503 28 16-14 | GN | EPA | 503 89 16-01 | B | | 537 07 12-01 | H | | | | |
| 503 28 18-03 | GN | | 503 89 22-02 | B | | 537 07 52-01 | N | | | | |
| 503 28 90-03 | D | | 503 89 24-01 | H | | 537 07 53-01 | N | | | | |
| 503 28 90-05 | D | | 503 89 29-01 | A | | 537 10 55-01 | B | | | | |
| 503 28 90-10 | D | | 503 89 30-01 | A | | 720 12 40-20 | J | | | | |
| 503 43 65-01 | H | | 503 89 44-01 | D | | 721 11 64-30 | B | | | | |
| 503 44 32-01 | J | | 503 89 50-01 | L | | 724 12 87-59 | F | | | | |
| 503 46 59-01 | A | | 503 89 60-01 | G | | 735 31 08-20 | A | | | | |
| 503 55 22-01 | D | | 503 89 83-01 | K | | 737 44 10-00 | D | | | | |
| 503 56 23-01 | N | | 503 89 87-01 | L | | | | | | | |
| 503 56 25-01 | N | | 503 89 96-71 | D | | | | | | | |
| 503 56 34-01 | N | | 503 90 39-02 | H | | | | | | | |
| 503 57 42-01 | N | | 503 90 59-01 | H | | | | | | | |
| 503 57 76-02 | J | | 503 90 73-71 | D | | | | | | | |
| 503 57 89-01 | HJ | | 503 91 39-01 | N | EPA | | | | | | |
| 503 58 15-01 | N | | 503 91 40-01 | N | EPA | | | | | | |

1 = 501 66 84-01

Set of gaskets
Dichtungssatz
Jeu de joints
Juego de juntas
Packningsats

EPA = Environmental Protection Agency
(for USA only)